



INSTALL INSTRUCTIONS C-3311-2 & C-3311-18-2

SLIDE-OUT TRUNK TRAY

2006-2008 CHEVROLET IMPALA

TOOLS REQUIRED:

7/16" wrench	Standard socket set
Powered drill w/ 3/16" drill bit	Screwdriver set
Ratcheting wrench	

HARDWARE:

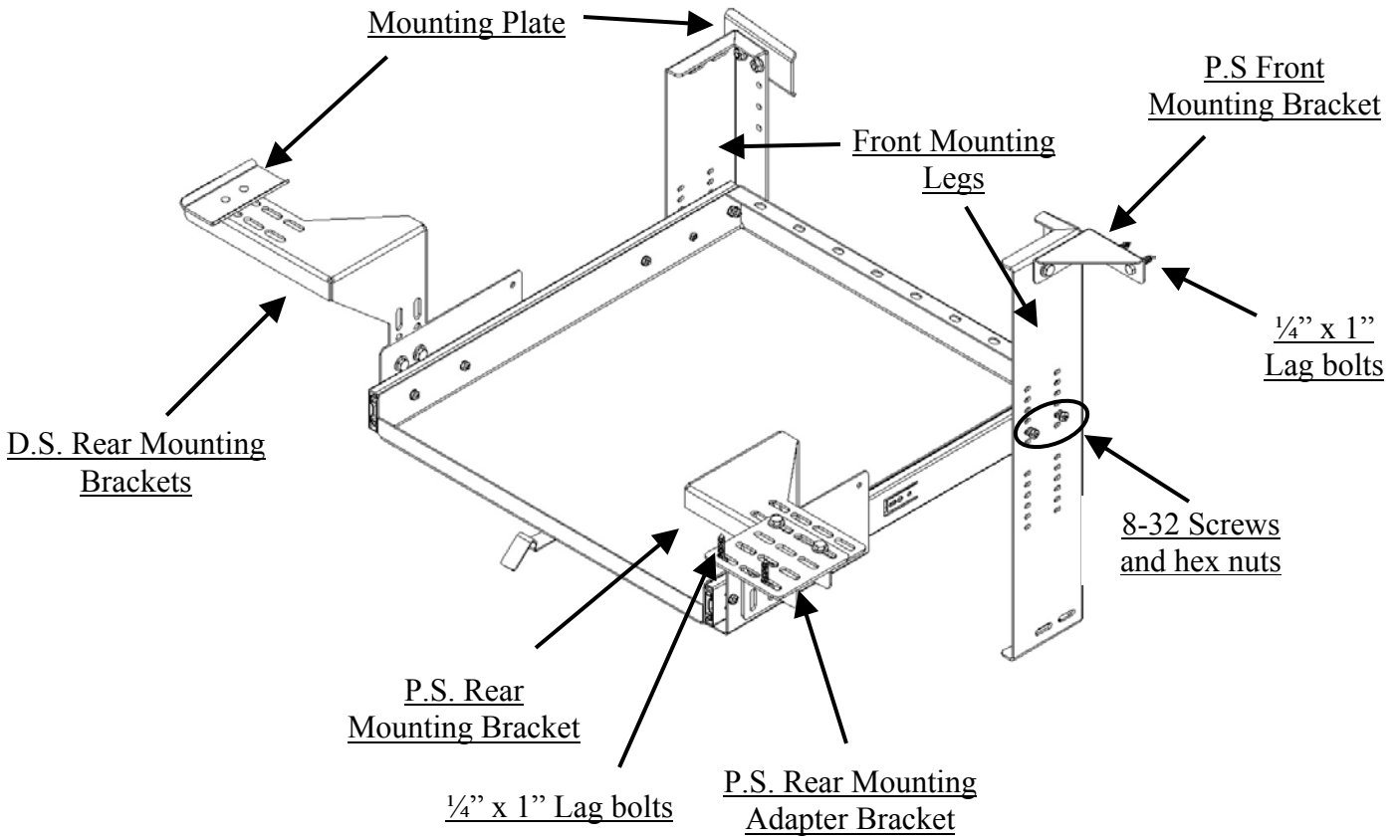
<u>QTY</u>	<u>DESCRIPTION</u>	<u>PART #</u>
12	1/4-20 x 3/4" Hex head bolts	GSM33001
16	1/4" Flat washers	GSM31005
12	1/4-20 Serrated nuts	GSM30023
4	8-32 x 3/8" Machine Screws	GSM33540
4	8-32 Keps Nuts	GSM30027
4	1/4" x 3/4" Hex head lag bolts (only on C-3311-18-2)	GSM33060-1
2	Front Mounting Leg	CM001390
1	Rear Driver-side bracket	CM001391
1	Rear Passenger-side bracket	CM001392
4	Mounting plate w/ pem 1/4" pem studs (Use 2 on C-3311-18-2)	CM001393
1	P.S. Front Mounting Bracket (only on C-3311-18-2)	CM001394
1	P.S. Rear Mounting Adapter Bracket (only on C-3311-18-2)	CM93712

Always!

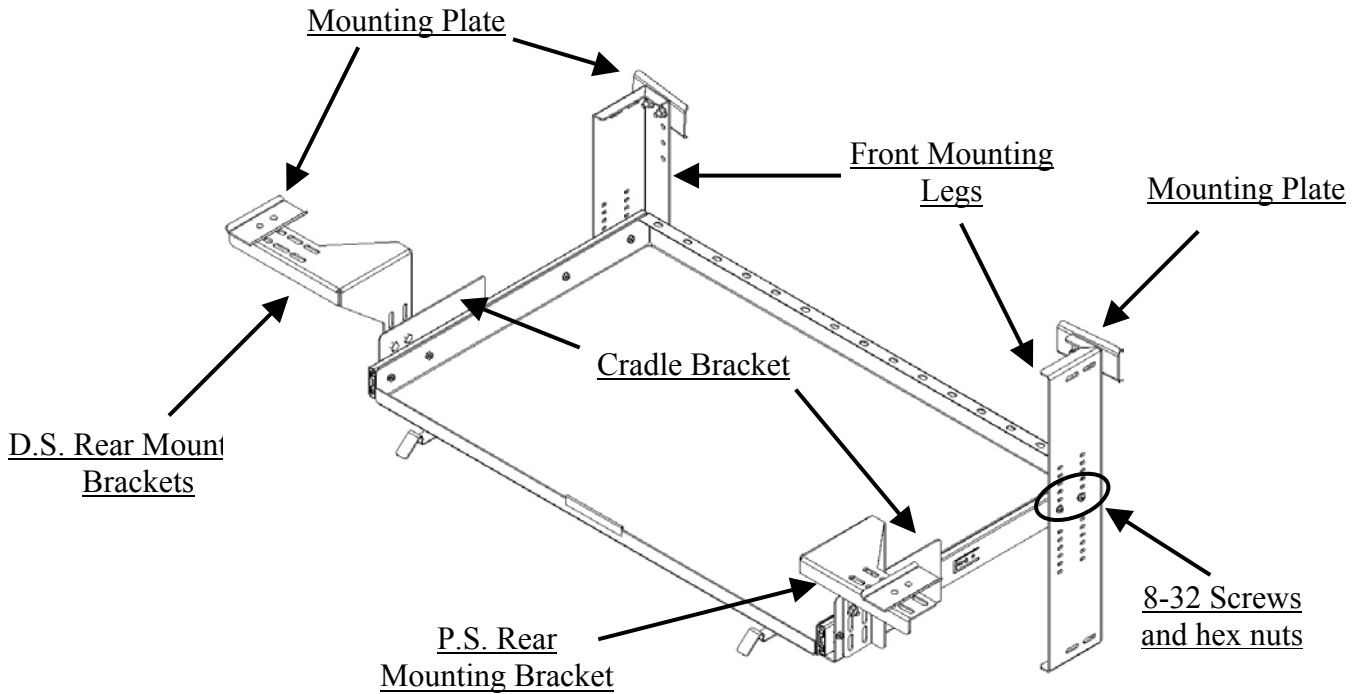
- Read all instructions before installing any Havis-Shields Equipment Corp products.
- Check for obstructions (Wire, brake lines, fuel tank, etc.) before drilling any holes!
- Use hardware provided with install kit
- For product support, visit the Install Instructions Section of our website at <http://havis.com/Installation/Installation.html>

SUB ASSEMBLY: (Use Iso views on page #1 & 2 for sub assemblies)

C-3311-18-2 HALF SIZE SLIDE TRAY



C-3311-2 FULL SIZE SLIDE TRAY



1. Attach forward mounting legs to the slide out tray.

- Attach forward mounting legs with provided 8-32 screws and hex nuts to slide track.
- The front legs will be square to the slide tray.
- On the front passenger side of the half tray, passenger side front mounting brackets (CM001394) will attach to the front mounting legs.

2. Attach rear-mounting brackets to the slide out tray.

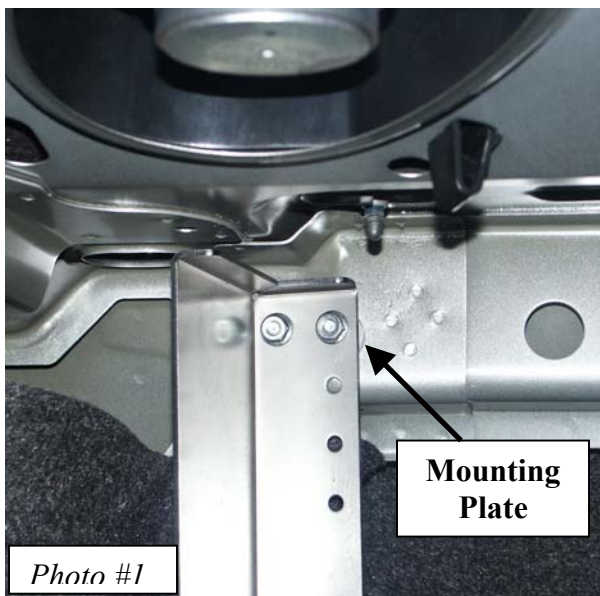
- Loosely attached the rear mounting brackets to the “Cradle Bracket” using $\frac{1}{4}$ ” x $\frac{3}{4}$ ” hex head bolts, washers and serrated nuts.
- On the rear passenger side of the half tray, passenger side rear mounting adapter bracket (CM93712) will attach to the rear mounting brackets.

INSTALLATION:

1. Mount slide tray in vehicle trunk.

- Slide trunk tray into vehicle with the tall front mounting legs in first. Prop up tray in position using block of wood.
- Once you have the tray square, and pushed to the forward most position in trunk, attach mounting brackets to vehicle using the supplied mounting plates.
- On the half tray, passenger side, you will bolt the passenger side front mounting brackets (CM001394) to the vehicle using $\frac{1}{4}$ ” x $\frac{3}{4}$ ” Hex head lag bolts. (Pre-drill w/ $\frac{3}{16}$ ” drill bit)
- Position mounting plates into locations shown in *photos #1 and 2*.
- Loosely attach front and rear mounting brackets to mounting plates using $\frac{1}{4}$ ” serrated nuts.
- On the passenger side, attach passenger side rear mounting adapter brackets (CM93712) to vehicle using $\frac{1}{4}$ ” x $\frac{3}{4}$ ” hex head lag bolts. (Pre-drill w/ $\frac{3}{16}$ ” drill bit)

Forward Mounting Brackets



Rear mounting brackets



- Tighten all loose hardware.
- Be sure tray slides smoothly and locks in the closed position. If the tray does not slide smooth then most likely the tray is not square or level.

